

50W Single Output Mini-size Series

- Compact size, high reliability
- Universal AC input / full range
- 100% full load burn-in test
- 2 years warranty
- V1 is isolated from the other outputs
- Protections: overload/ over voltage/ short circuit
- F603 129 x 98 x 40(mm)



HF50W-SML



HF50W-DML, TML

www.agelectronica.com

www.agelectronica.com

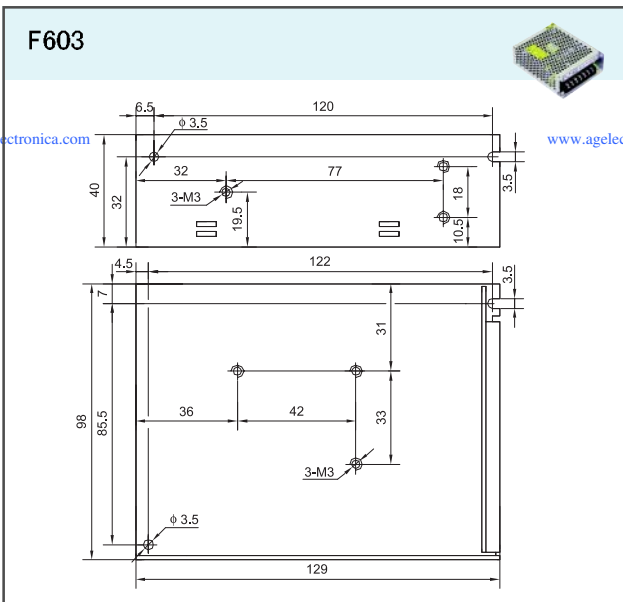
AC input voltage range	85~264VAC (120~370VDC)
Input frequency	47~63Hz
Inrush current	cold start, 20A/115V, 40A/230V
Input leakage current	< 0.7mA/ 230VAC
Line regulation (full load)	$\leq \pm 0.5\%$
Load regulation	$V_1: \leq \pm 1\%$ $V_2, V_3: \leq \pm 6\%$
Output voltage adjust range	single output: $\pm 10\%$, multi-output: $V_1: \pm 5\%$
Output overload protection	110~150%
Output over voltage protection	115~150%
Withstand voltage	I/P -O/P: 3.0KVAC/1min I/P -F/G: 1.5KVAC/1min O/P-F/G: 0.5KVAC/1min
Rise time	50ms@full load (typical)
Hold up time	20ms@full load (typical)
Operating temp. & humidity	-10°C~+50°C, 20%~93%RH (non condensing)
Storage temp. & humidity	-20°C~+85°C, 20%~95%RH (non condensing)
Safety standards	meet GB4943, UL60950, EN60950
EMC standards	meet GB9254, EN55022 classB EN61000-3-2,3, EN61000-4-2,3,4,5,6,8,11
Cooling method	convection

Single Output

Model	DC Output		Load regul.	R&N	Efficiency
HF50W-SML-5	5V	10.0A	0.5%	100mV	70%
HF50W-SML-12	12V	4.2A	0.5%	120mV	72%
HF50W-SML-15	15V	3.4A	0.5%	120mV	74%
HF50W-SML-24	24V	2.1A	0.5%	150mV	76%
HF50W-SML-48	48V	1.0A	0.5%	150mV	81%

* 3~48VDC output all available.

Drawing



www.agelectronica.com

www.agelectronica.com